

Standard Calibration Charge Accelerometer

Model AG107

Features:

- Impact and Vibration
- Cutting Structure
- Positive Voltage Effect

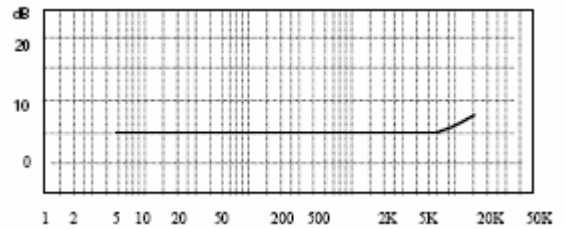
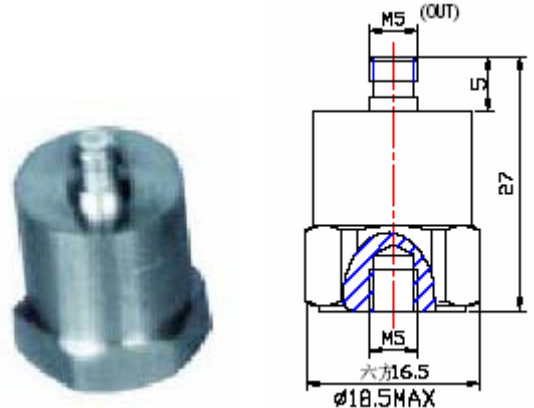
Specifications:

Dynamic Characteristics

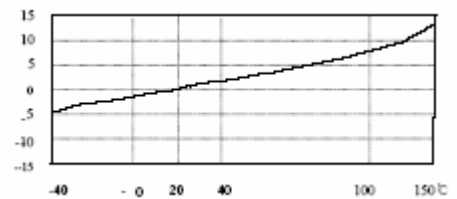
Axes Sensitivity (20±5 deg C)	50 pC/g
Max Transverse Sensitivity	<= 5 %
Frequency Response (1 dB)	.5 - 6000Hz
Resonance Frequency	25,000 Hz
Temperature Response	See temperature curve
Polarity	Positive
Isolation Resistance	>10 ⁹ Ω
Capacitance	~ 1200 Pf

Environmental/Physical Characteristics

Temperature Range	-40 to +150 °C
Shock Limit	800g
Temperature Sensitivity	4mg/°C (0.3Hz)
Magnetic Field Sensitivity	2g/T
Structural Strain Sens.	0.2 mg/μ ε
Weight	28g
Case Material	Stainless steel
Mounting	M5 Screw
Piezo Material	PZT-5
Structure	Cutting
Output Connection	Top L5
Included Accessories	Calibration sheet M5, M5/M8 L5 STYV-1 cable (2m)



Frequency Response curve



Temperature Curve

Product information:
KCF Technologies, Inc.

www.kcftech.com

112 W. Foster Avenue
State College, PA 16801

TEL: 814-867-4097

FAX: 814-690-1579

North American Sales & Support:
Scantek Inc.

www.scantekinc.com

7060 Oakland Mills Road, Suite L
Columbia, MD 21046

TEL: 410-290-7726

FAX: 410-290-9167