

High Impulse Accelerometer

Model AH139

Features:

- Shock and Vibration Measurement
- Large Frequency Response Range
- Integral Hardline Cable Output
- Small Size

Specifications:

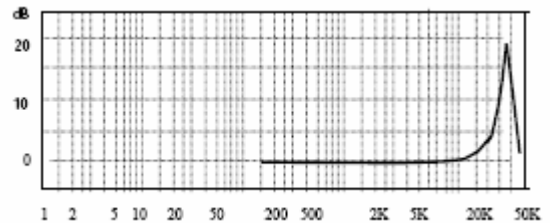
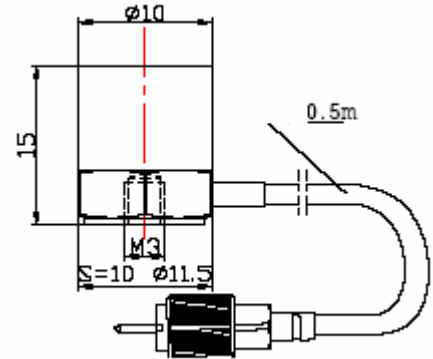
Dynamic Characteristics

Axes Sensitivity (20±5 deg C)	10 pC/g
Max Transvers Sensitivity	<= 5 %
Frequency Response (+/-10%)	1 - 15000Hz
Resonance Frequency	35,000 Hz
Temperature Response	See temperature curve
Polarity	Positive
Isolation Resistance	>10 ⁹ Ohms
Capacitance	~ 1200 Pf

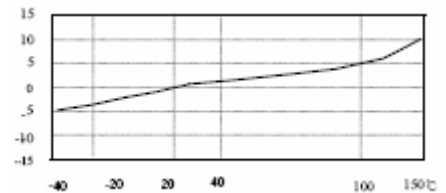
Environmental/Physical Characteristics

Temperature Range	-40 to +150 °C
Shock Limit	1000g
Temperature Sensitivity	4mg/°C (0.3Hz)
Magnetic Field Sensitivity	2 g/T
Structural	5 mg/ μ ϵ
Weight	5 g
Case Material	Stainless steel
Mounting	M3 Screw
Piezo Material	PZT-5
Structure	Cut Mode
Output Connection	Integral L5

Included Accessories	Calibration sheet
	Cable 0.5m
	STYV-1.1 ~80OC
	STFF-0.9 ~150C



Frequency Response Curve



Temperature Curve

Product information:
KCF Technologies, Inc.

www.kcftech.com
 112 W. Foster Avenue
 State College, PA 16801
 TEL: 814-867-4097
 FAX: 814-690-1579

North American Sales & Support:
Scantek Inc.

www.scantekinc.com
 7060 Oakland Mills Road, Suite L
 Columbia, MD 21046
 TEL: 410-290-7726
 FAX: 410-290-9167