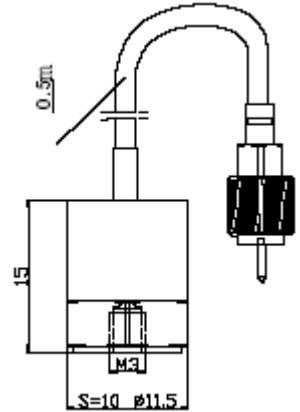


High Impulse Accelerometer

Features:

- Shock and Vibration Measure
- Large Frequency Response Range
- Integral Hardline Cable Output
- Small Size

Model AG139D



Specifications:

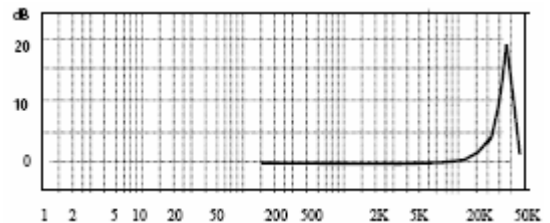
Dynamic Characteristics

Axes Sensitivity (20±5 deg C)	10 pC/g
Max Transverse Sensitivity	≤ 5 %
Frequency Response (10%)	1 - 15000Hz
Resonance Frequency	35,000 Hz
Temperature Response	See temperature curve
Polarity	Positive
Isolation Resistance	>10 ⁹ Ω
Capacitance	~ 1200 Pf

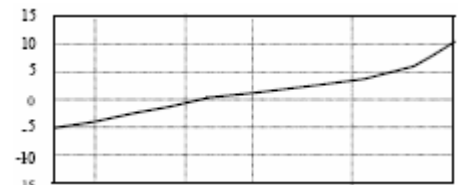
Environmental/Physical Characteristics

Temperature Range	-40 to +150 °C
Shock Limit	1000g
Temperature Sensitivity	4mg/°C (0.3Hz)
Magnetic Field Sensitivity	2g/T
Structural Strain Sens.	5 mg/μ ε
Weight	5g
Case Material	Stainless steel
Mounting	M3 Screw
Piezo Material	PZT-5
Structure	Cut Mode
Output Connection	Integral

Included Accessories	Calibration sheet
	M3 Screw
	STYV-1-1 ~80 deg C
	STFF-0.9 ~150 deg C



Frequency Response Curve



Temperature Curve

Product information:
KCF Technologies, Inc.

www.kcftech.com
112 W. Foster Avenue
State College, PA 16801
TEL: 814-867-4097
FAX: 814-690-1579

North American Sales & Support:
Scantek Inc.

www.scantekinc.com
7060 Oakland Mills Road, Suite L
Columbia, MD 21046
TEL: 410-290-7726
FAX: 410-290-9167