

## Integrated Chip Accelerometer

### Model AI159

#### Features:

- IC Inside
- High Sensitivity ~ 10V/g
- Isolated Structure

#### Specifications:

##### Dynamic Characteristics

Axes Sensitivity (20±5 deg C)	~10V/g +/- 5%
Measurement Range	1g
Max Transverse Sensitivity	<5%
Frequency Response (10%)	0.2 ~ 1000 Hz
Frequency Response (-3dB)	0.07 ~ 1250Hz
Distinguish Ability	2X10E-5g
Temperature Response	See temperature curve
Polarity	Positive
Attenuation	>= 18dB

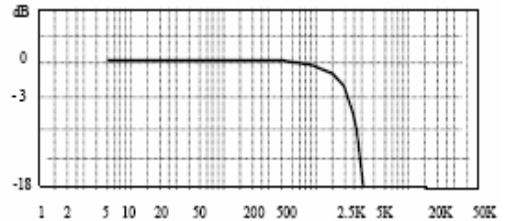
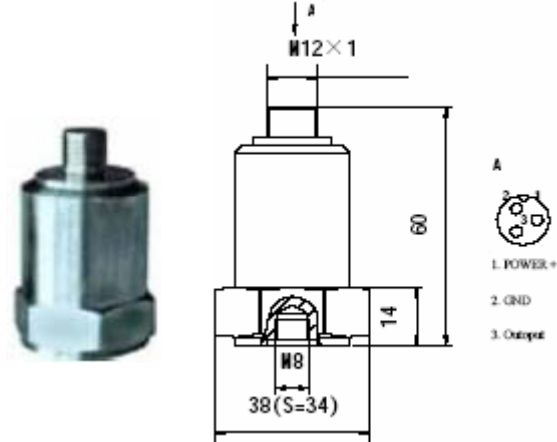
##### Electrical Specifications

Voltage Supply	+24 ~ 30 V <sub>DC</sub>
Max Signal Output	<= 10V
Output Impedance	< 200 Ω
Bias Voltage	0V

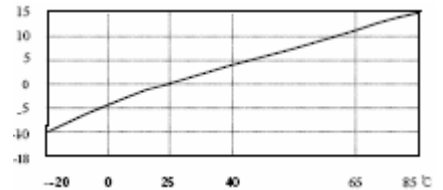
##### Environmental/Physical Characteristics

Temperature Range	-20 to +80 °C
Shock Limit	500g
Weight	250g
Case Material	Stainless Steel
Mounting	M8 Screw
Piezo Material	PZT-5
Structure	Cut mode
Size	39X34X60mm

Included Accessories	Calibration sheet Tie-in
----------------------	-----------------------------



Frequency Response Curve



Temperature Curve