

General Integrated Chip Accelerometer

Model AI184

Features:

- IC Inside
- Simple Measure System
- Normal Cable
- Float Mounting

Specifications:

Dynamic Characteristics

Axes Sensitivity (20±5 deg C)	~50 mV/g
Measurement Range	100 g
Max Transverse Sensitivity	<= 5 %
Frequency Response (+/-10%)	0.3 - 4000 Hz
Resonance Frequency	15000 Hz
Temperature Response	See temperature curve
Polarity	Positive
Isolation	> 10 ⁸ Ω

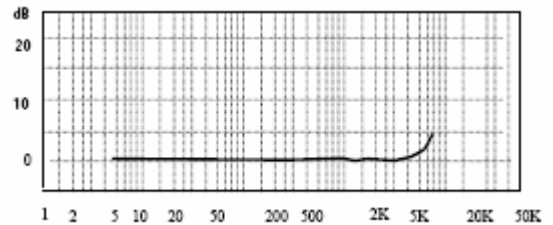
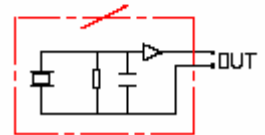
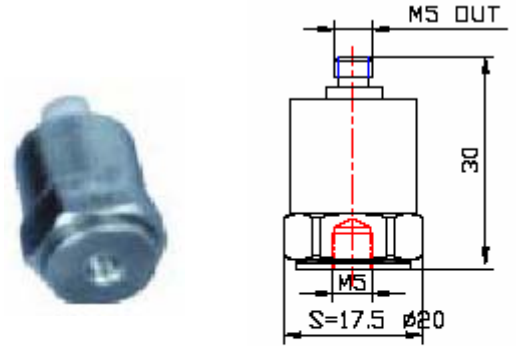
Electrical Specifications

Voltage Supply	+12~+28V _{DC}
Current	+2 ~ +10 mA
Max Signal Output	<=5V _P
Output Impedance	< 100 Ω
Bias Voltage	7 +/- 1 V _{DC}
Noise (1~20KHz)	< 0.8mg

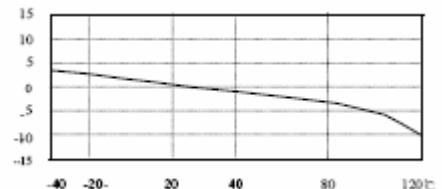
Environmental/Physical Characteristics

Temperature Range	-20 to +120 °C
Shock Limit	1000g
Temperature Sensitivity	2g/T
Case Strain Sensitivity	0.2 mg/μ ε
Magnetic Field Sensitivity	8mg/°C (0.3Hz)
Weight	26g
Case Material	Stainless Steel
Mounting	M5 Screw
Piezo Material	PZT-5
Structure	Cut Mode
Output Connection	L5

Included Accessories	Calibration sheet M5x1 screw L5 STYV-1 (2m)
----------------------	---



Frequency Response Curve



Temperature Curve

Product information:
KCF Technologies, Inc.

www.kcftech.com
112 W. Foster Avenue
State College, PA 16801
TEL: 814-867-4097
FAX: 814-238-1875

North American Sales & Support:
Scantek Inc.

www.scantekinc.com
7060 Oakland Mills Road, Suite L
Columbia, MD 21046
TEL: 410-290-7726
FAX: 410-290-9167