

## General Integrated Chip Accelerometer

### Model AI187

#### Features:

- IC Inside
- Simple Measure System
- Normal Cable

#### Specifications:

##### Dynamic Characteristics

Axes Sensitivity (20±5 deg C)	~200 mV/g
Measurement Range	25 g
Max Transverse Sensitivity	< 5 %
Frequency Response (+/-5%)	1 - 4000 Hz
Resonance Frequency	15,000 Hz
Temperature Response	See temperature curve
Polarity	Positive

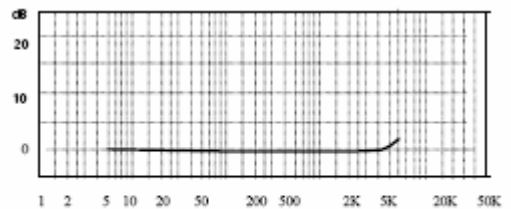
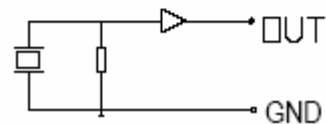
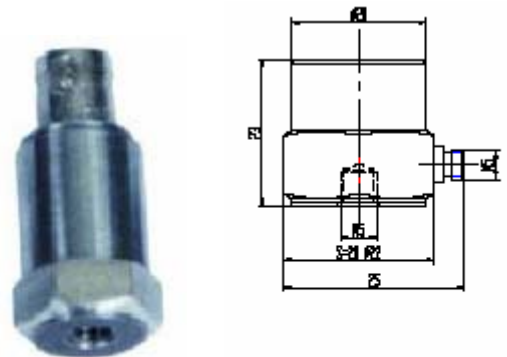
##### Electrical Specifications

Voltage Supply	+12~+28V <sub>DC</sub>
Current	+2 ~ +10 mA
Max Signal Output	<5V <sub>P</sub>
Output Impedance	< 100 Ω
Bias Voltage	7 +/- 1 V <sub>DC</sub>
Noise (1~20KHz)	< 0.4mg

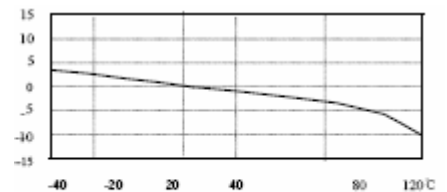
##### Environmental/Physical Characteristics

Temperature Range	-20 to +120 ° C
Shock Limit	1000g
Temperature Sensitivity	2.5mg/°C
Case Strain Sensitivity	0.2 mg/μ ε
Magnetic Field Sensitivity	2g/T
Weight	40g
Case Material	Stainless Steel
Mounting	M5 Screw
Piezo Material	PZT-5
Structure	Cut Mode
Output Connection	L5

Included Accessories	Calibration sheet
	M5 Screw
	L5 STYV-1 (2m)



Frequency Response Curve



Temperature Curve

Product information:  
**KCF Technologies, Inc.**  
[www.kcftech.com](http://www.kcftech.com)  
 112 W. Foster Avenue  
 State College, PA 16801  
 TEL: 814-867-4097  
 FAX: 814-690-1579

North American Sales & Support:  
**Scantek Inc.**  
[www.scantekinc.com](http://www.scantekinc.com)  
 7060 Oakland Mills Road, Suite L  
 Columbia, MD 21046  
 TEL: 410-290-7726  
 FAX: 410-290-9167