

Low Frequency Accelerometer

Model AS132

Features:

- Low Frequency
- High Sensitivity
- Cutting Mode
- Positive Voltage Effect

Specifications:

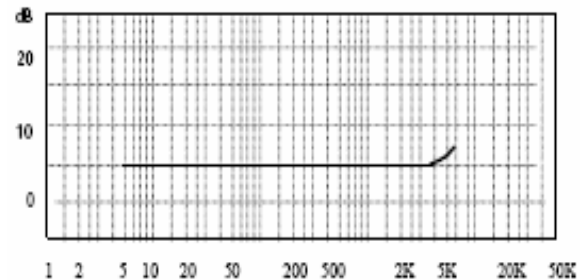
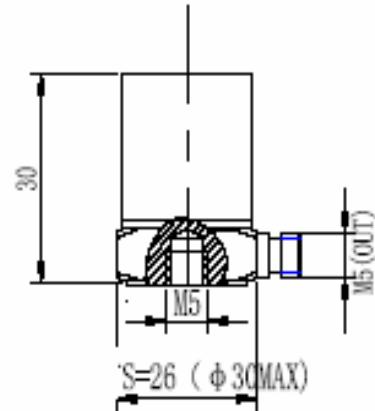
Dynamic Characteristics

Axes Sensitivity(20±5 deg C)	1000pC/g
Max Transverse Sensitivity	<= 5 %
Frequency Response (+/-5%)	1 - 2500Hz
Resonance Frequency	7000 Hz
Temperature Response	See temperature curve
Polarity	Positive
Isolation Resisance	>10 ⁹ Ω
Capacitance	~ 500 Pf

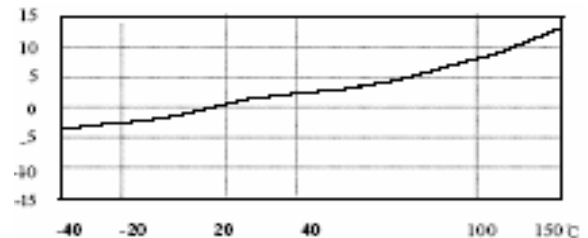
Environmentl/Physical Characteristics

Temperature Range	-40 to +150 °C
Shock Limit	200g
Temperature Sensitivity	10mg/°C (0.3Hz)
Magnetic Field Sensitivity	1.2g/T
Structural Strain Sens.	0.2 mg/μ ε
Weight	100 g
Case Material	Stainless steel
Mounting	M5 Screw
Piezo Material	PZT-5
Structure	Cut Mode
Output Connection	L5

Included Accessories	Calibration sheet
	M5 M5/M8 Screw
	L5 STYV-1 cable (2m)



Frequency Response Curve



Temperature Curve

Product information:
KCF Technologies, Inc.

www.kcftech.com
112 W. Foster Avenue
State College, PA 16801
TEL: 814-867-4097
FAX: 814-690-1579

North American Sales & Support:
Scantek Inc.

www.scantekinc.com
7060 Oakland Mills Road, Suite L
Columbia, MD 21046
TEL: 410-290-7726
FAX: 410-290-9167