

SmartDiagnostics® Accessories

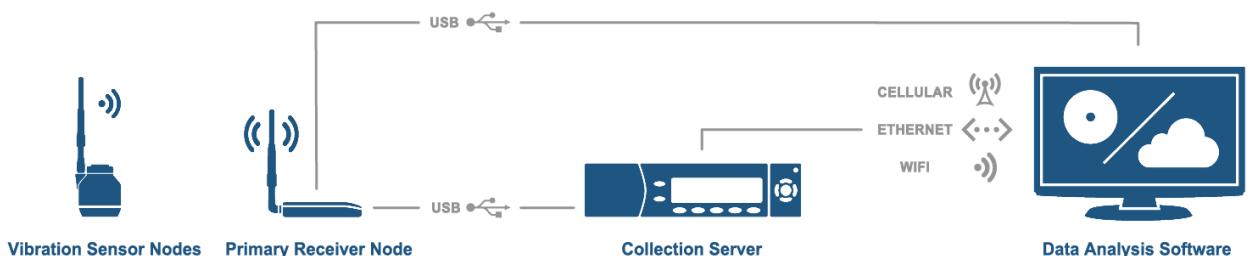
The SmartDiagnostics® family of innovative wireless sensor products enables cost-effective predictive maintenance for industrial equipment. The system provides continuous remote monitoring of key performance indicators to track the operating health of equipment.

- Full range of accessories to ensure SmartDiagnostics® works optimally in a diverse range of applications
- Solutions for challenging industries and environments
- Flexible installation configurations



Give Your Machines a Voice™

Adaptable	Modular	Universally Applicable
<p>KCF's line of SmartDiagnostics® accessories are designed to support machine health monitoring in a variety of challenging environments. We thrive in difficult installations; even if your application seems difficult or impossible, it's likely that there is a SmartDiagnostics® solution that can work for you.</p>	<p>SmartDiagnostics® accessories are designed to work interchangeably with KCF's standard line of sensors, receivers, and data collection and analysis hardware and software, making it easy to assemble a set of equipment that works perfectly for your installation right out of the box.</p>	<p>Every industrial operation in the world can benefit from vibration monitoring and predictive maintenance. The SmartDiagnostics® line of products and accessories allows you to establish and expand your machine health monitoring program to whatever scale fits your operation.</p>

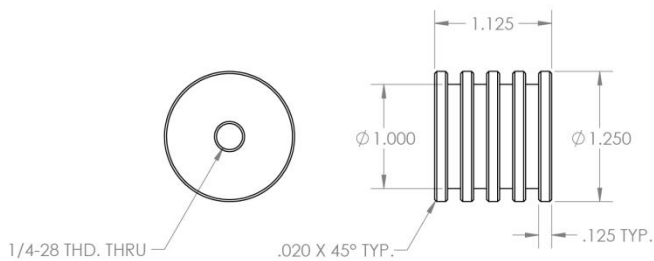


Thermal Isolation Mount (SD-TMOUNT)

The Thermal Isolation Mount allows SmartDiagnostics® sensors to be used on machines with extreme surface temperatures by safely isolating the sensor from the hot surface while still providing a rigid attachment for positive mechanical coupling and accurate vibration measurement.

Mechanical

Weight	1.5 oz (42 g)
Material	Ceramic
Operating Temperature	Surface temperatures up to 400°F (205°C) (Dependent on ambient air temperature and airflow)
Mounting	1/4"-28 female thread for stud mounting

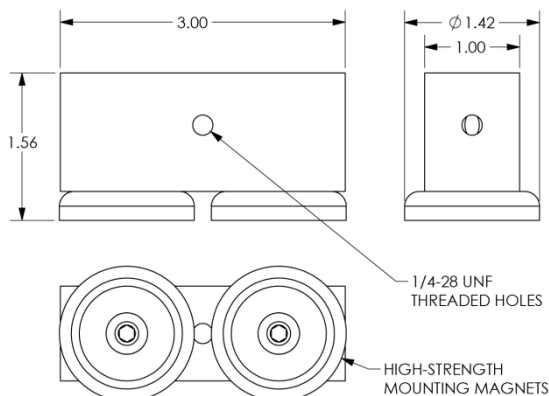


Right Angle Magnet Mount (SD-RMOUNT)

The Right Angle Mount provides a solution to difficult mounting situations. Applicable to any ferromagnetic structure, the Right Angle Mount allows a SmartDiagnostics® sensor to be aligned with any axis of interest, even if a mounting face perpendicular to that axis is not available or practical to use.

Mechanical

Weight	9.3 oz (263 g)
Material	6061 Aluminum
Mounting	Magnetic base with up to 100 lbs pull force



Weld Mount (SD-WMOUNT)

The Weld Mount is welded to a host machine to allow stud-mounting a SmartDiagnostics[®] sensor without needing to drill and tap into the machine. The Weld Mount is particularly useful in high-temperature or extreme vibration applications, or mobile applications where flying debris may knock off a magnet-mounted sensor.

Mechanical

Weight	1.6 oz (46 g)
Material	Stainless Steel
Mounting	Fillet weld to host machine 1/4"-28 female thread for stud mounting

