



Universal Mount User Guide



Version 2.0 03/05/18

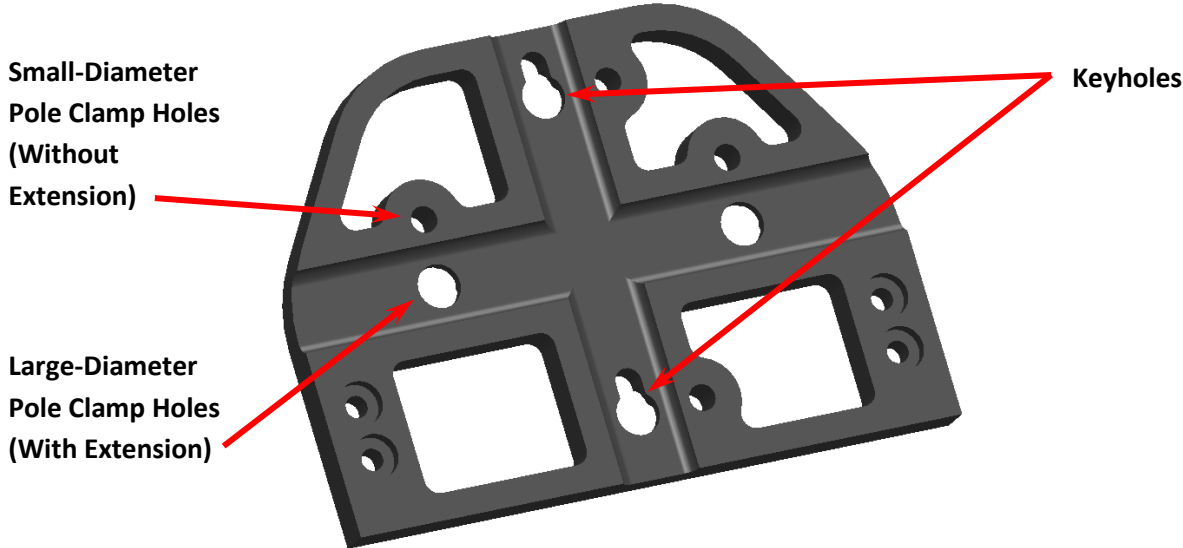
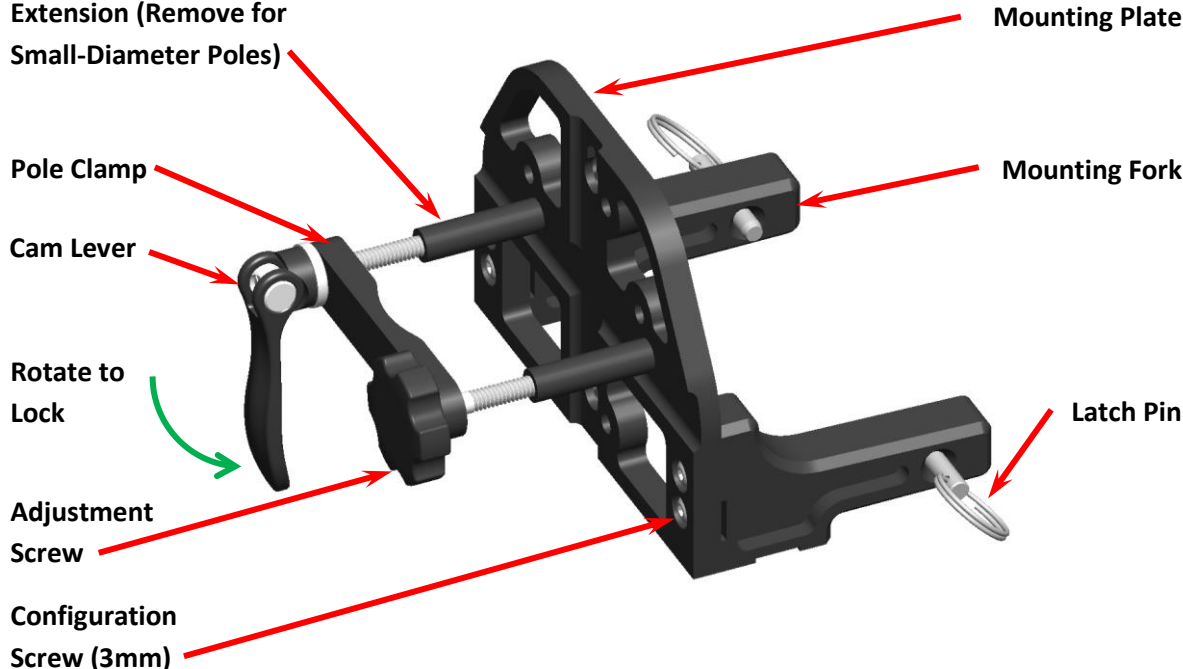
Copyright © 2018 KCF Technologies, Inc. All rights reserved

Revision History

Revision	Date	Note
1.0	11/09/16	--
2.0	03/05/18	Cam-Locking Update

General Description and Parts

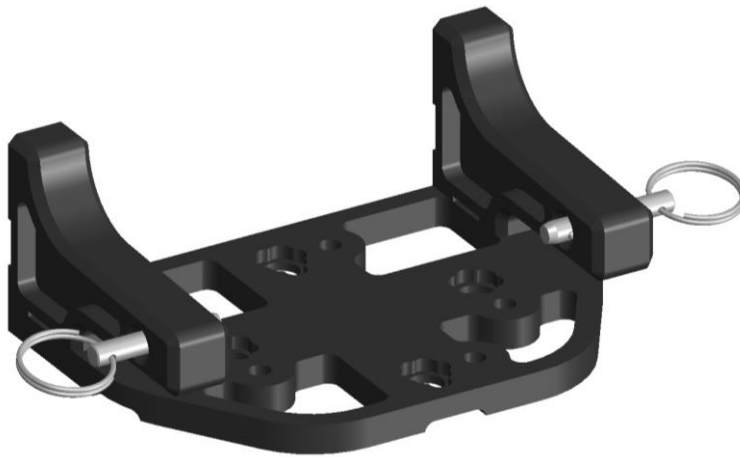
The SmartDiagnostics® Universal Mount can be used to mount Base Stations and Repeaters to walls, workbenches, railings, poles, etc. This document shows some of the different configurations the Mount can be assembled in. By making a few simple adjustments to the Universal Mount, you should be able to securely mount your Base Stations and Repeaters to almost anything in your facility.



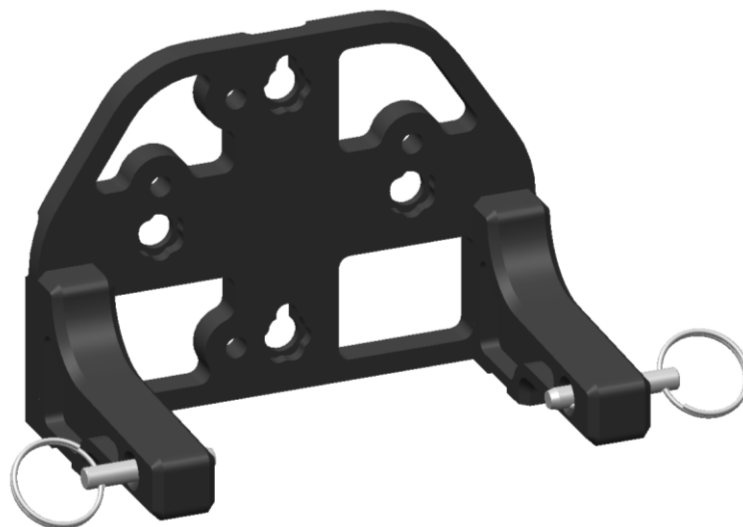
Horizontal vs. Vertical Mounting

The SmartDiagnostics® Universal Mount can be assembled in 2 basic formats: Horizontal and Vertical. Switching between configurations is done by removing the 4 Configuration Screws using a 3mm hex tool and attaching the Mounting forks to the Mounting Plate in either the Horizontal or Vertical format. Be sure to insert the tethers for the Latching Pins between the Mounting Forks and Mounting Plate before screwing the Mounting Forks on.

Assemble the Mount in Horizontal format with the Mount Forks parallel to the Mounting Plate if you intend to attach the Base Station or Repeater to something horizontal, like a railing, workbench, or shelf:

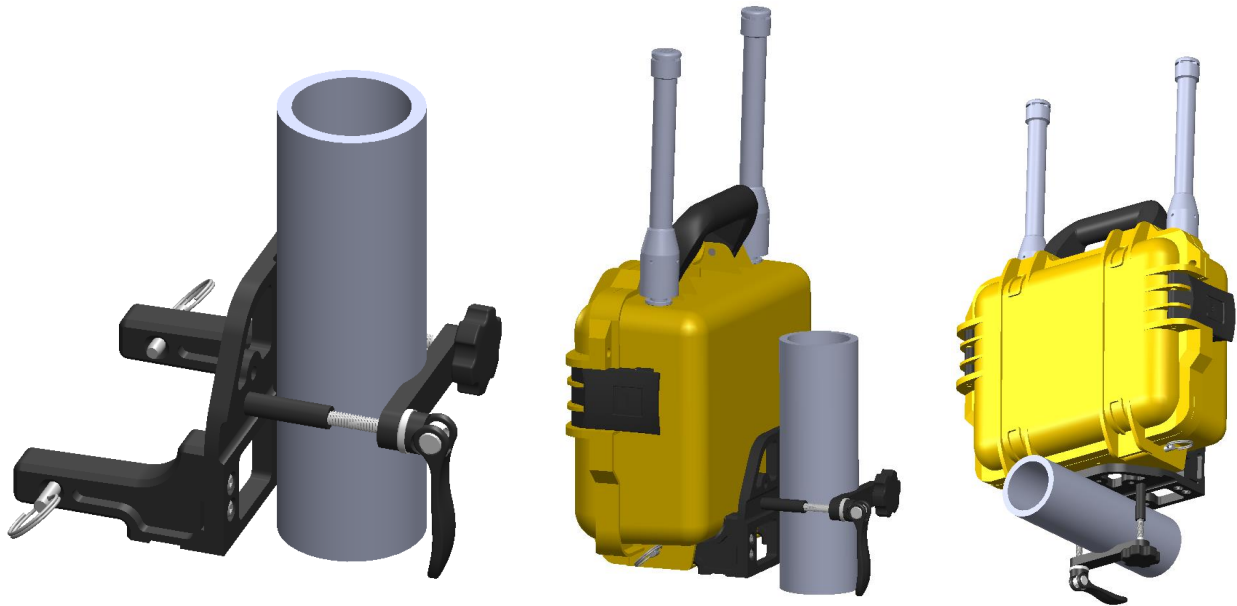


Assemble the Mount in Vertical format with the Mounting Forks perpendicular to the Mounting Plate if you intend to attach the Base Station or Repeater to something vertical, like a wall or utility pole:

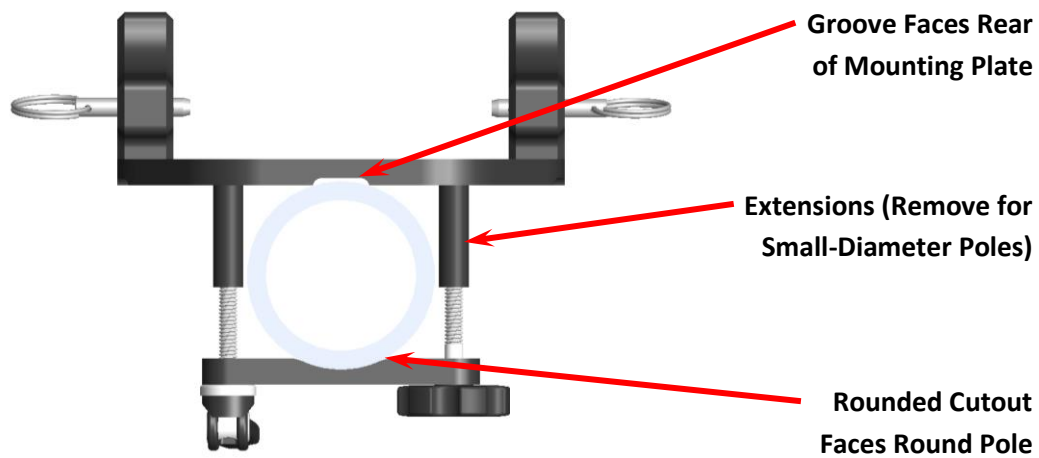


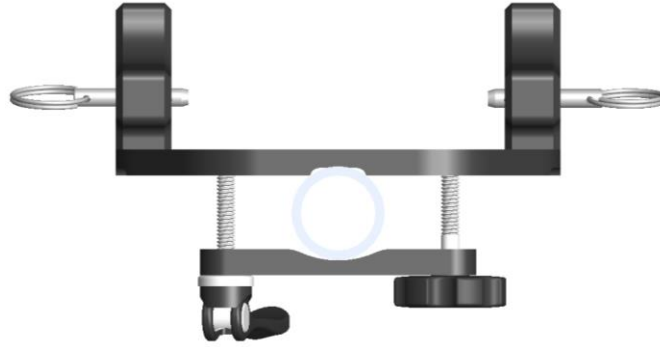
Pole/Railing Mounting

The Universal Mount can be attached to vertical poles or horizontal railings up to 2.5" in diameter using the included Pole Clamp. Simply fasten the Adjustment Screw and Cam Lever around the pole or railing as shown below until finger-tight, and then rotate the cam lever to lock the mount in place. Note: Although the shape of the Pole Clamp is optimized for round poles or railings, it will work with square, hex, or other cross-sections as well.



Please note that the Pole Clamp is reversible; use the curved or flat side as appropriate depending on the shape of pole you are clamping to. The back of the Mounting Plate features a groove which will slightly bite into the pole when the Cam Lever is tightened. Remove the screw extensions and thread the Adjustment Screw and Cam Lever directly into the Mounting Plate if you are mounting to a small-diameter pole (see net page).





Wall Mounting

The Universal Mount can be attached to a wall permanently or temporarily, using some or all of the through-holes for the Pole Mount screws, or by using the Keyholes and hooking the Mounting Plate over large screw or nail heads, much like hanging a picture.

Attaching the Base Station or Repeater

Once your Universal Mount is suitably mounted in your facility, simply slide the Base Station or Repeater onto the mounting forks, and install the Latch Pins to securely lock it in place. If you need to move your Base Station or Repeater, simply pull out the Latch Pins and slide the box off the Universal Mount.

